

SIDEWALK IMPROVEMENT PLANS FOR COLUMBUS AVE. (KING AVE. TO BELL AVE.) - BELL AVE. (COLUMBUS AVE. TO STRICKFADEN PARK) COLUMBUS AVE. (MARSHALL AVE. TO STONYRIDGE DR.) PERKINS TOWNSHIP, ERIE COUNTY, OHIO

GENERAL NOTES

SPECIFICATIONS:
The current Construction and Material Specifications (CMS) of the State of Ohio Department of Transportation, including any changes and supplemental specifications listed hereon, shall govern this project.

Item numbers referred to herein conform to the State of Ohio Department of Transportation, Construction and Material Specifications, Current Edition.

ELEVATION DATUM
All elevations are based on NAVD '88 (2011) Datum and verified by a Surveyor.

PERMITS
The contractor shall be responsible for obtaining all necessary permits.

UNDERGROUND UTILITIES
The locations of the underground utilities shown on the plans have been obtained by diligent field checks and searches of available records. It is believed that they are essentially correct, but Contractors Design Engineering, nor Perkins Township guarantee their accuracy or completeness. The exact location and projection of the underground utilities are the responsibility of the contractor.

OHIO UTILITY PROTECTION SERVICE:
The contractor shall notify the Ohio Utility Protection Service [800-362-2764] forty-eight [48] hours before his work is in progress and shall make such arrangements as are necessary in the event emergency repairs should become necessary.

LIST OF UTILITIES

Gas	Columbia Gas of Ohio, Inc. 1800 Broad Ave. Findlay, Ohio 45840 Phone: 419-427-3227	Sanitary Sewers & Water Mains	Erie County Department of Environmental Services 554 River Road Huron, Ohio 44839 Phone: 419-433-7303
Telephone	A T & T 130 N. Erie Street, RM 206 Toledo, Ohio 43604 Phone: 419-245-7491	Electric	Ohio Edison Company 2508 W. Perkins Ave. Sandusky, Ohio 44870 Phone: 419-627-6889
Cable TV.	Buckeye Broadband 2700 Oregon Road Northwood, Ohio 43619	Street & Storm	Perkins Township Highway Dept. 2610 Columbus Ave. Sandusky, Ohio 44870 Phone: 419-609-1400

EXISTING ROADWAY DRAINAGE
Existing roadway ditches, culverts pipes and drives disturbed during construction shall be regraded and replaced to conform to conditions prior to construction and shall be seeded as directed by the Engineer or the Township.

LAWN AREAS:
Existing lawn areas disturbed during construction shall be replaced to a condition equal to or exceeding original condition and as approved by the Engineer or the Township.

EXISTING TREES
Existing trees not indicated for removal shall not be disturbed during construction operations. All cuts or wounds measuring one or more inches in diameter and all exposed wood or scars resulting from this construction shall be painted with an approved paint or tree wound dressing.

ITEM 614, MAINTAINING TRAFFIC
During Construction, the CONTRACTOR to maintain one lane of traffic at all times within the block where Construction is taking place by means of temporary signals and/or flagmen.

At the end of every day and non-working days, the CONTRACTOR will maintain two-way traffic within the Construction areas by moving his equipment off site and/or locating it in such a way that two-way traffic can be maintained in an orderly safe manner by means of a "safety zone", approved by the TOWNSHIP around his equipment.

Length and duration of the lane closures and restrictions shall be at the approval of Perkins Township. It is the intent to minimize the impact to the traveling Public.

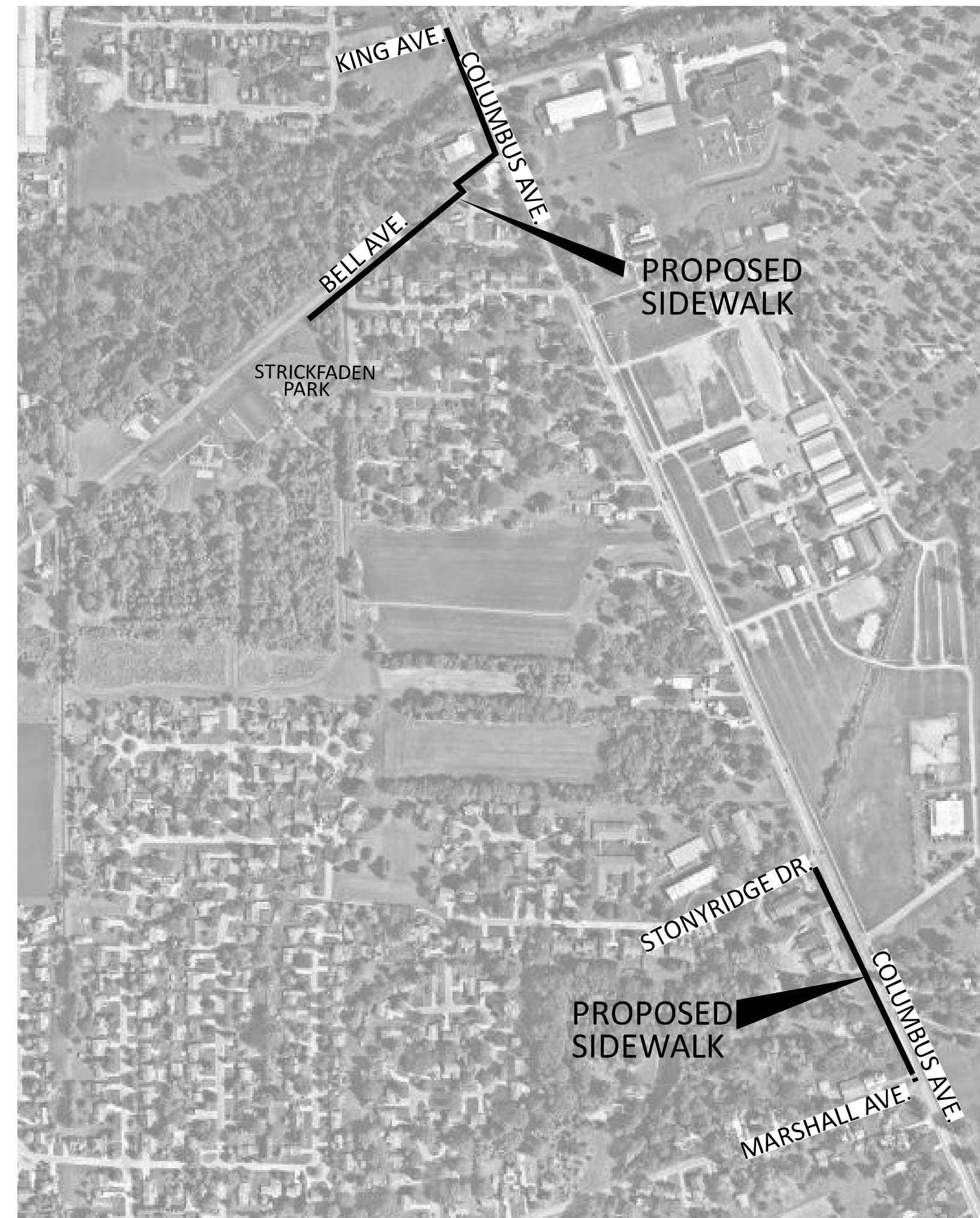
The Contractor shall provide, erect and maintain signs, barricades, gates and lights in accordance with ODOT 614 and other applicable portions of the specifications, as well as the Ohio Manual of Uniform Traffic Control Devices. Payment for all labor, equipment and materials shall be included in the Lump Sum price for Item 614 Maintain Traffic, unless separately itemized in the Plan.

UTILITY SERVICES
Relocation or repair of utility services, disturbed by the work will be the responsibility of the contractor. The cost shall be included in the cost of the project.

UTILITY POLES
All utility poles within this project that require relocation shall be moved by their respective owners so not as to interfere with the progress of the work.

The contractor shall coordinate with the respective utility owners to provide adequate temporary support when trenching near the remaining utility poles and guy wires.

CONSTRUCTION LAYOUT
All construction layout shall be the responsibility of the contractor and shall be provided by a Licensed Professional Surveyor.



SITE MAP
Not to Scale

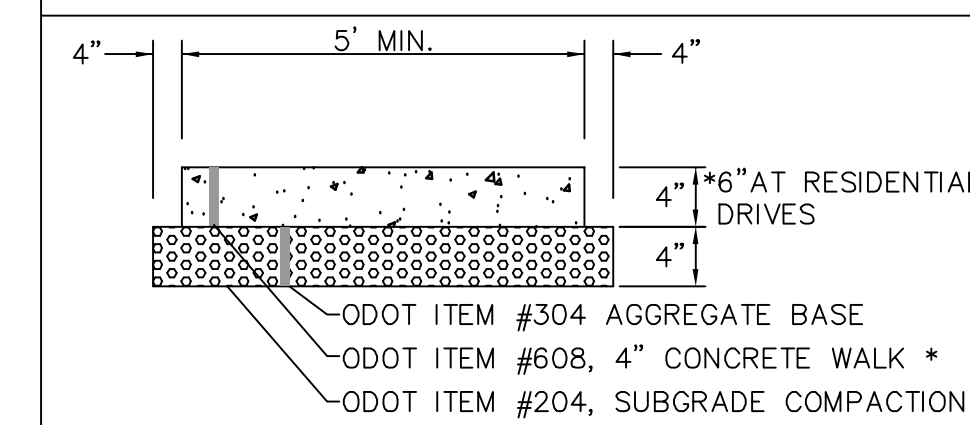
INDEX

NO.	DESCRIPTION
1	TITLE SHEET & DETAILS
2	LAYOUT PLAN - COLUMBUS AVE. - KING AVE. TO BELL AVE. - STRICKFADEN PARK
3	LAYOUT PLAN - COLUMBUS AVE. - MARSHALL AVE. - STONYRIDGE DR.

GENERAL NOTES

- WORK UNDER THIS CONTRACT SHALL BE LIMITED TO PUBLIC RIGHT-OF-WAY AND EASEMENTS OBTAINED BY THE OWNER AS SHOWN ON THE DRAWINGS. ANY ADDITIONAL CONSTRUCTION EASEMENTS REQUIRED FOR COMPLETION OF WORK UNDER THIS CONTRACT SHALL BE OBTAINED BY THE CONTRACTOR.
- GAS AND SOME WATER SERVICE LINES ARE NOT SHOWN ON THE DRAWINGS. CONTRACTOR SHOULD ASSUME A GAS AND WATER SERVICE FOR EVERY EXISTING STRUCTURE. SERVICE LINES WILL BE LOCATED BY THE UTILITY OWNER AT THE TIME OF CONSTRUCTION.
- WHERE IT IS NECESSARY TO DISTURB SIGNS, LAWNS, DRIVEWAYS, LANDSCAPING, FENCES, SHRUBS, MAILBOXES, ETC. IT SHALL BE THE CONTRACTOR'S RESPONSIBILITY TO RESTORE THE AREA TO A CONDITION AT LEAST AS GOOD AS IT WAS PRIOR TO THE ONSET OF CONSTRUCTION.
- WHEREVER IN THE CONTRACT DOCUMENTS REFERENCE IS MADE TO THE CONSTRUCTION AND MATERIALS SPECIFICATIONS OF THE OHIO DEPARTMENT OF TRANSPORTATION (ODOT) CURRENT EDITION, THE PROVISIONS OF THE REFERENCED ITEM SHALL HAVE THE FULL FORCE AND EFFECT AS IF REPRODUCED HEREIN IN THEIR ENTIRETY. HOWEVER, THE METHOD OF MEASUREMENTS, BASIS OF PAYMENT AND PAY ITEMS SHALL BE AS DIRECTED IN THE MATERIAL SPECIFICATIONS OR BID PROPOSAL FORMS. THE CONTRACTOR SHALL BE RESPONSIBLE FOR PROVIDING HIS OWN COPY OF THE ODOT CONSTRUCTION AND MATERIAL SPECIFICATIONS.
- ALL PROPERTY PINS OR MONUMENTS WHICH ARE REMOVED OR DISTURBED DURING CONSTRUCTION SHALL BE REPLACED IN THE SAME LOCATION THEY OCCUPIED PRIOR TO CONSTRUCTION. THIS WORK SHALL BE COMPLETED BY A PROFESSIONAL SURVEYOR REGISTERED IN THE STATE OF OHIO.
- THE CONTRACTOR SHALL BE RESPONSIBLE FOR CONTROLLING DUST, DIRT AND MUD DUE TO CONSTRUCTION IN THE PROJECT AREA DURING THE LIFE OF THE PROJECT. DUST CONTROL OPERATIONS SHALL BE PERFORMED BY THE CONTRACTOR AT THE TIME, LOCATION AND IN THE AMOUNT ORDERED BY THE OWNER AND SHALL BE IN ACCORDANCE WITH ITEM 616 OF THE OHIO DEPARTMENT OF TRANSPORTATION CONSTRUCTION AND MATERIAL SPECIFICATIONS. THE COST FOR THESE OPERATIONS SHALL BE CONSIDERED AS GENERAL OVERHEAD COSTS AND NO SEPARATE COMPENSATION WILL BE MADE.
- THE CONTRACTOR SHALL BE RESPONSIBLE FOR TEMPORARY WATER POLLUTION, SOIL EROSION AND SILTATION CONTROL DUE TO CONSTRUCTION WITHIN THE PROJECT AREA AND DURING THE LIFE OF THE PROJECT. THESE TEMPORARY OPERATIONS SHALL BE PERFORMED IN ACCORDANCE WITH ODOT #832, LATEST REVISION AND AS DIRECTED BY THE ENGINEER. COST FOR SAID CONTROLS SHALL BE CONSIDERED AS GENERAL OVERHEAD COSTS AND NO SEPARATE COMPENSATION WILL BE MADE.

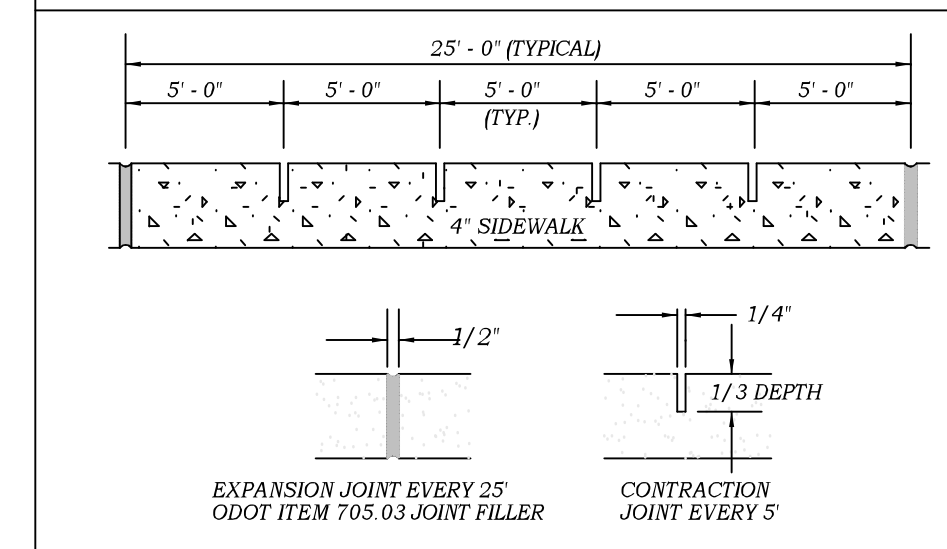
PROPOSED SIDEWALK



SIDEWALK

A. ODOT Item 304 aggregate base and Item 204 shall be included with Item 608 for payment.

CONCRETE JOINT DETAIL



UNDERGROUND UTILITIES

TWO WORKING DAYS
BEFORE YOU DIG
CALL 1-800-362-2764 (TOLL FREE)
OHIO UTILITIES PROTECTION SERVICE
NON-MEMBERS
MUST BE CALLED DIRECTLY



PERKINS TOWNSHIP TRUSTEE'S APPROVAL

I hereby approve these plans

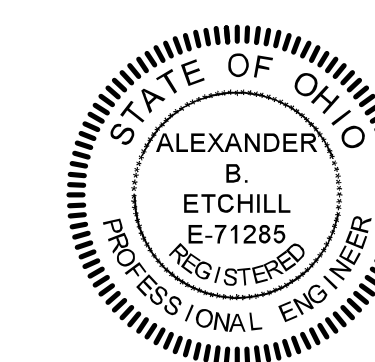
Jeffrey Ferrel Trustee, Chairperson	Date _____
Timothy Coleman Trustee	Date _____
James Lang Trustee	Date _____

PLANS PREPARED BY

Engineer & Surveyor
Contractors Design Engineering, Ltd.
1623 Old State Road
Norwalk, Ohio 44857
Phone: (419) 663-0885
Fax: (419) 663-2805
E-Mail: alex@contractorsdesigneng.com

Alexander B. Etchill
Alexander B. Etchill, P.E., P.S.

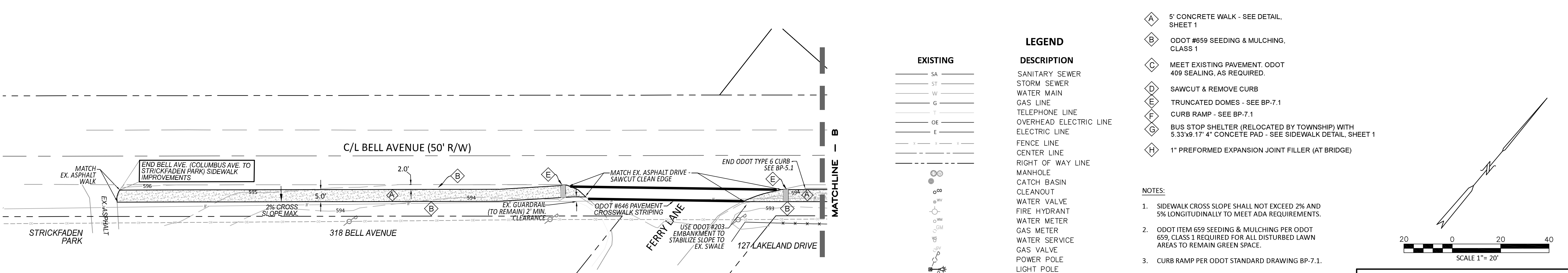
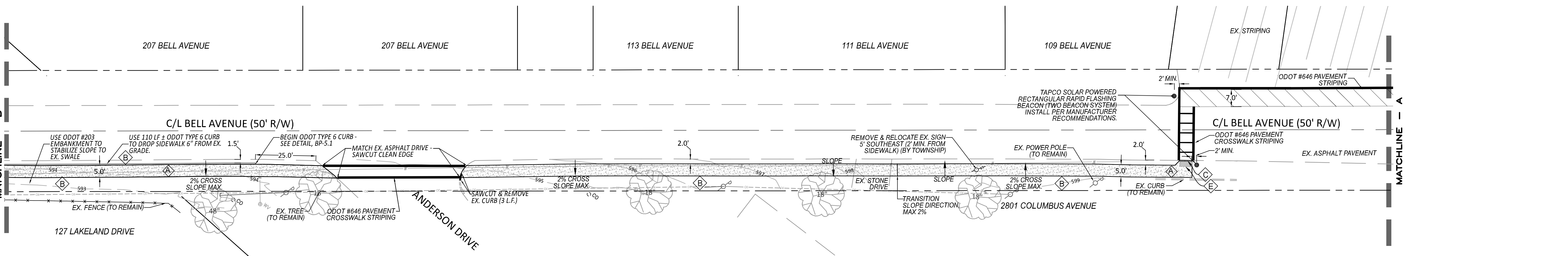
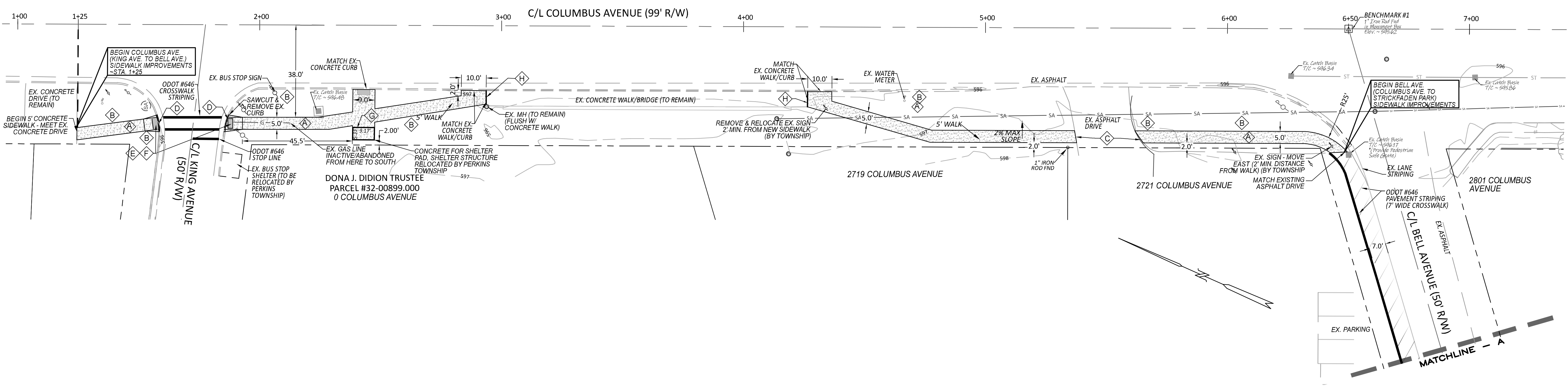
the 3rd day of May, 2023



PERKINS TOWNSHIP SIDEWALK IMPROVEMENTS
COLUMBUS AVE. & BELL AVE.
TITLE SHEET & DETAILS

CONTRACTORS
DESIGN ENGINEERING
CONSULTING ENGINEERS & SURVEYORS
NORWALK, OHIO

SCALE: N.T.S.	DATE: MAY, 2023 DR. KNR	CHK'D. BY: ABE REV'D	PROJECT NO. 22-259
---------------	----------------------------	-------------------------	--------------------



UNDERGROUND UTILITIES
TWO WORKING DAYS
BEFORE YOU DIG
CALL 1-800-362-2764 (TOLL FREE)
OHIO UTILITIES PROTECTION SERVICE
NON-MEMBERS
MUST BE CALLED DIRECTLY



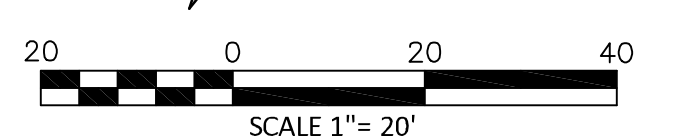
EXISTING

SA	SANITARY SEWER
ST	STORM SEWER
W	WATER MAIN
G	GAS LINE
T	TELEPHONE LINE
OE	OVERHEAD ELECTRIC LINE
E	ELECTRIC LINE
F	FENCE LINE
X	CENTER LINE
—	RIGHT OF WAY LINE
○	MANHOLE
○	CATCH BASIN
○	CLEANOUT
○	WATER VALVE
○	FIRE HYDRANT
○	WATER METER
○	GAS METER
○	WATER SERVICE
○	GAS VALVE
○	POWER POLE
○	LIGHT POLE
○	POLE W/ DOWN GUY
○	TREE
○	CURB BASIN

LEGEND

DESCRIPTION	SYMBOL
5' CONCRETE WALK - SEE DETAIL, SHEET 1	A
ODOT #659 SEEDING & MULCHING, CLASS 1	B
MEET EXISTING PAVEMENT, ODOT 409 SEALING, AS REQUIRED.	C
SAWCUT & REMOVE CURB	D
TRUNCATED DOMES - SEE BP-7.1	E
CURB RAMP - SEE BP-7.1	F
BUS STOP SHELTER (RELOCATED BY TOWNSHIP) WITH 5.33'x9.17' 4" CONCRETE PAD - SEE SIDEWALK DETAIL, SHEET 1	G
1" PREFORMED EXPANSION JOINT FILLER (AT BRIDGE)	H

- NOTES:**
- SIDEWALK CROSS SLOPE SHALL NOT EXCEED 2% AND 5% LONGITUDINALLY TO MEET ADA REQUIREMENTS.
 - ODOT ITEM 659 SEEDING & MULCHING PER ODOT 659, CLASS 1 REQUIRED FOR ALL DISTURBED LAWN AREAS TO REMAIN GREEN SPACE.
 - CURB RAMP PER ODOT STANDARD DRAWING BP-7.1.

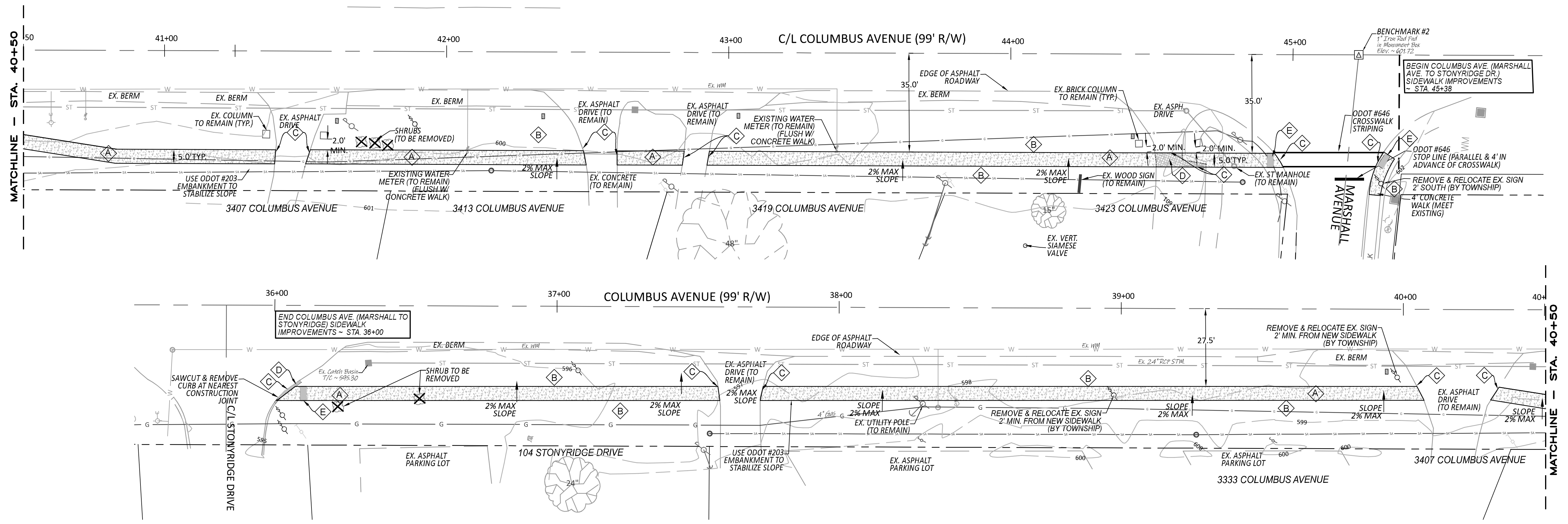


PERKINS TOWNSHIP SIDEWALK IMPROVEMENTS
COLUMBUS AVE. - KING AVE. TO BELL AVE.
BELL AVE. TO STRICKFADEN PARK
LAYOUT PLAN

CONTRACTORS
DESIGN ENGINEERING
CONSULTING ENGINEERS & SURVEYORS
NORWALK, OHIO

SCALE: 1"=20'	DATE: MAY, 2023	CK'D BY: ABE	PROJECT NO. 22-259
	DR: KNR	REV'D	

File Name: Z:\CD\2022-259-Perkins Township\2022-259-Perkins Township\2022-259-Columbus Avenue Sidewalk.dwg



- LEGEND**
- A 5' CONCRETE WALK - SEE DETAIL. SHEET 1. SLOPE 2% MAX EAST TOWARD COLUMBUS AVE.
 - B ODOT #659 SEEDING & MULCHING, CLASS 1 TO ALL DISTURBED AREA TO REMAIN AS GREEN SPACE
 - C MEET EXISTING PAVEMENT. ODOT 409 SEALING, AS REQUIRED.
 - D SAWCUT & REMOVE
 - E TRUNCATED DOMES - SEE BP-7.1

- NOTES:**
1. SIDEWALK CROSS SLOPE SHALL NOT EXCEED 2% AND 5% LONGITUDINALLY TO MEET ADA REQUIREMENTS.
 2. ODOT ITEM 659 SEEDING & MULCHING PER ODOT 659, CLASS 1 REQUIRED FOR ALL DISTURBED LAWN AREAS TO REMAIN GREEN SPACE.
 3. CURB RAMPS PER ODOT SCD BP-7.1.

UNDERGROUND UTILITIES
 TWO WORKING DAYS
BEFORE YOU DIG
 CALL 1-800-362-2764 (TOLL FREE)
 OHIO UTILITIES PROTECTION SERVICE
 NON-MEMBERS
 MUST BE CALLED DIRECTLY



PERKINS TOWNSHIP SIDEWALK IMPROVEMENTS
 COLUMBUS AVE. - MARSHALL AVE. TO
 STONY RIDGE DRIVE
 LAYOUT PLAN

CONTRACTORS
DESIGN ENGINEERING
 CONSULTING ENGINEERS & SURVEYORS
 NORWALK, OHIO

SCALE: 1"=20'	DATE: MAY, 2023 DR. KNR	CK'D. BY: ABE REV'D	PROJECT NO. 22-259
------------------	----------------------------	------------------------	-----------------------